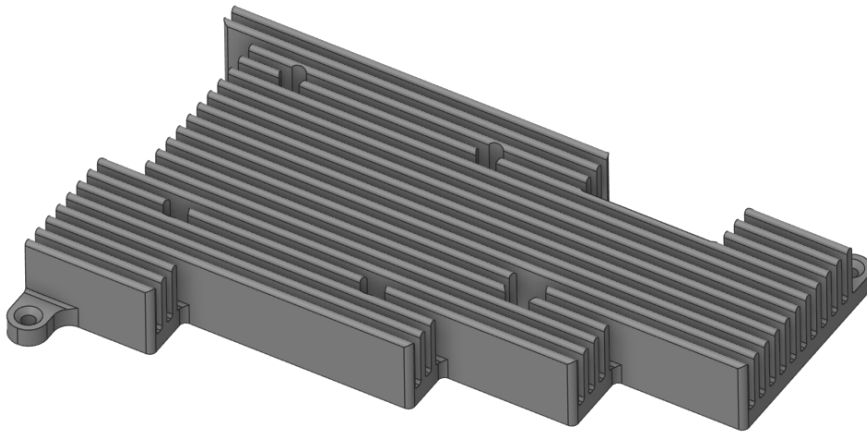


# armStone™ 8MPr2 Heatsink

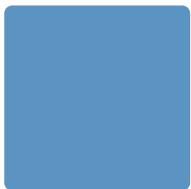
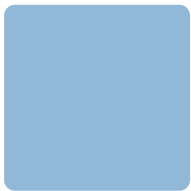
*MHS.AS8MP.3*

*Datasheet*



Version 001/04.2026

From 30.04.2026



**Elektronik  
Systeme**

© F&S Elektronik Systeme GmbH  
Untere Waldplätze 23  
D-70569 Stuttgart

<https://www.fsembedded.com/en>

Phone: +49(0)711-123722-0

## About This Document

This document describes the individual components of article “MHS.AS8MP.3” on a technical and thermal level for the armStone™MX8MPr2. The latest version of this document can be found at: <https://www.fseembedded.com/en>.

## ESD Requirements



All F&S hardware products are electrostatic discharge (ESD) sensitive. All products are handled and packaged according to ESD guidelines. Please do not handle or store ESD sensitive material in ESD unsafe environments. Negligent handling will harm the product and warranty claims become void.

## History

Version	Date	Platform	Added (A) Removed (R) Modified (M)	Chapter	Description	Author
001/04.2026	30.04.2026	-	-	All	Initial Version	TM

## Table of Content

1	Introduction	4
2	Technical Specifications	4
2.1	Heatsink.....	4
2.2	Thermal Interface Material (TIM) .....	4
3	Mechanical Dimensions	5
3.1	Heatsink.....	5
3.2	Thermal Interface Material (TIM) .....	5
4	General Tolerances	5
5	Assembly	6
6	Scope of delivery	6
6.1	MHS.AS8MP.3: .....	6
7	Appendix	7
7.1	Second source rules .....	7
7.2	RoHS and REACH statement .....	7
7.3	Important Notice.....	7
8	Warranty Terms	8
8.1	Hardware Warranties.....	8
8.2	Software Warranties .....	8
8.3	Disclaimer of Warranty .....	8
8.4	Limitation on Liability.....	8

# 1 Introduction

The armStone™8MPr2 Heatsink is a complete thermal cooling solution for the armStone™MX8MPr2 module. For applications where active cooling is needed, there are four M3 threaded holes that allow mounting a 40 × 40 mm fan.

## 2 Technical Specifications

### 2.1 Heatsink

Property		Unit	Remarks
Material	EN AW-6061	-	
Coating	Black anodized	-	
Thermal conductivity	170-200	W/m · K	@ 20°C
Weight	TBD	grams	Heatsink only
Thermal resistance	TBD	-	

Table 1: Heatsink technical specifications

### 2.2 Thermal Interface Material (TIM)

Property		Unit	Test Method	Remarks
Color	Gray	-	Visual	
Thermal conductivity	12.0	W/m · K	ASTM D5470	
Dielectric Strength	>7.0	kV/mm	ASTM D149	
Breakdown Voltage	>9.0	kV/mm	ASTM D149	
Volume Resistivity	1.0x10 <sup>3</sup>	Ω · cm	ASTM D257	
Operation Temperature	-60.0 ~ 200.0	°C	-	
Hardness	45.0 - 70.0	Shore OO	ASTM D2240	

Table 2: TIM technical specifications

### 3 Mechanical Dimensions

#### 3.1 Heatsink

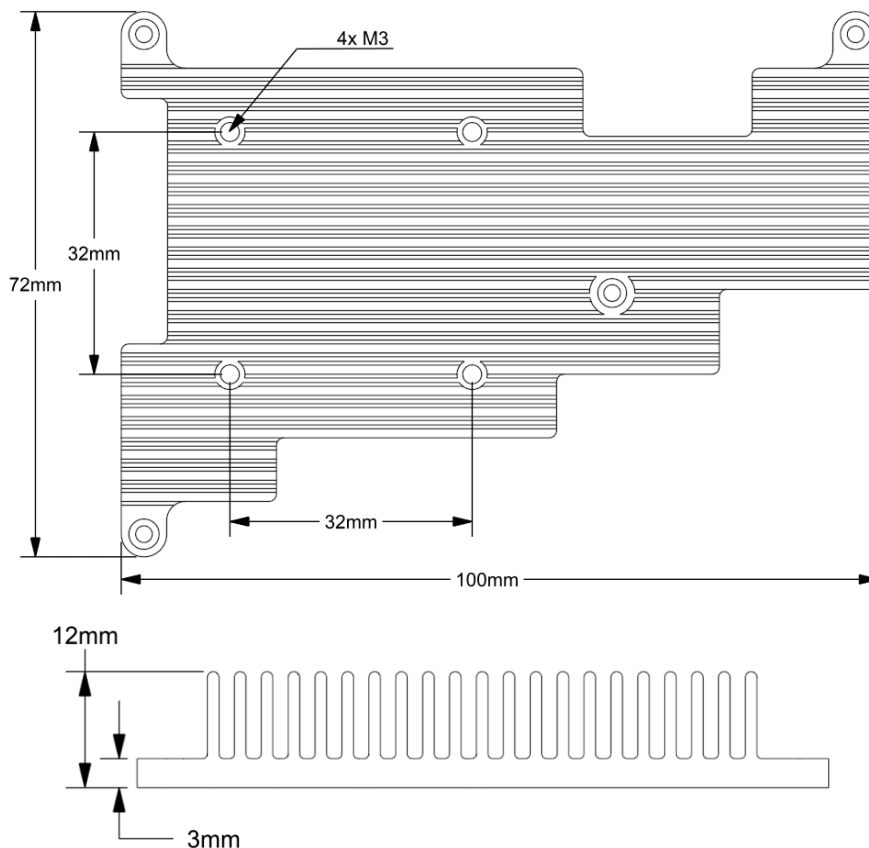


Figure 1: Mechanical Dimensions Heatsink

#### 3.2 Thermal Interface Material (TIM)

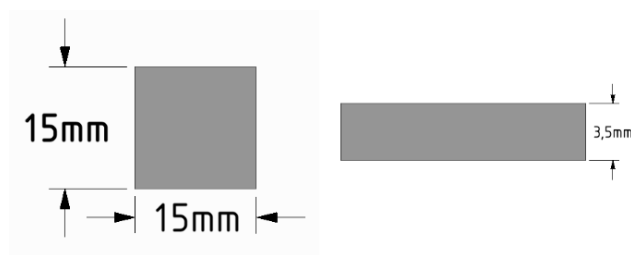


Figure 2: Mechanical Dimensions TIM

### 4 General Tolerances

General tolerances according to DIN ISO 2768-m

Nominal Length (mm)	Tolerance ( $\pm$ mm)
0.5 – 3	0.1
>3 – 6	0.1
>6 – 30	0.2
>30 – 120	0.3
>120 – 400	0.5

## 5 Assembly

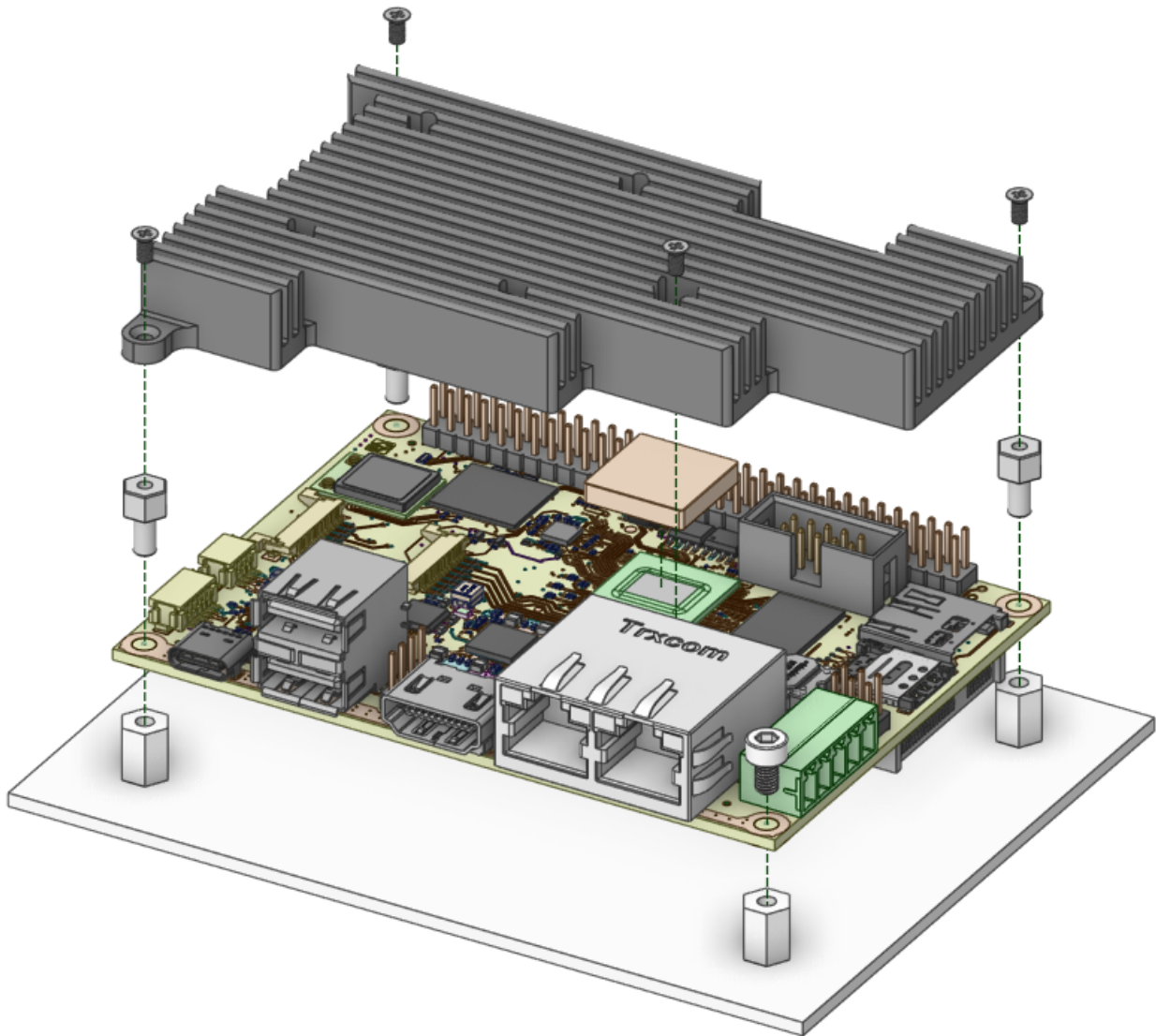


Figure 3: Cooling Solution Assembly

## 6 Scope of delivery

### 6.1 MHS.AS8MP.3:

Article	Quantity
Heatsink	1
TIM 15.0 x 15.0 x 3.5mm	1
4.0 mm M3 Standoff	3
M2 x 5.0 mm countersunk screws DIN 965	4
M3 Nut	3

Table 3: Scope of delivery MHS.AS8MP.3

## 7 Appendix

### 7.1 Second source rules

The qualifications of products from a second source are done autonomously by F&S. This is necessary to guarantee delivery times and product life. A setup of release samples with released second sources is not possible. F&S does not use broker components without the consent of the customer.

### 7.2 RoHS and REACH statement

Please see the following webpage: [www.fsembedded.com/en/support/certifications/](http://www.fsembedded.com/en/support/certifications/)

### 7.3 Important Notice

The information in this publication has been carefully checked and is believed to be entirely accurate at the time of publication. F&S Elektronik Systeme ("F&S") assumes no responsibility, however, for possible errors or omissions, or for any consequences resulting from the use of the information contained in this documentation.

F&S reserves the right to make changes in its products or product specifications or product documentation with the intent to improve function or design at any time and without notice and is not required to update this documentation to reflect such changes.

F&S makes no warranty or guarantee regarding the suitability of its products for any particular purpose, nor does F&S assume any liability arising out of the documentation or use of any product and specifically disclaims any and all liability, including without limitation any consequential or incidental damages.

Specific testing of all parameters of each device is not necessarily performed unless required by law or regulation.

Products are not designed, intended, or authorized for use as components in systems intended for applications intended to support or sustain life, or for any other application in which the failure of the product from F&S could create a situation where personal injury or death may occur. Should the Buyer purchase or use a F&S product for any such unintended or unauthorized application, the Buyer shall indemnify and hold F&S and its officers, employees, subsidiaries, affiliates, and distributors harmless against all claims, costs, damages, expenses, and reasonable attorney fees arising out of, either directly or indirectly, any claim of personal injury or death that may be associated with such unintended or unauthorized use, even if such claim alleges that F&S was negligent regarding the design or manufacture of said product.

Specifications are subject to change without notice.

## 8 Warranty Terms

### 8.1 Hardware Warranties

F&S guarantees hardware products against defects in workmanship and material for a period of one (1) year from the date of shipment. Your sole remedy and F&S's sole liability shall be for F&S, at its sole discretion, to either repair or replace the defective hardware product at no charge or to refund the purchase price. Shipment costs in both directions are the responsibility of the customer. This warranty is void if the hardware product has been altered or damaged by accident, misuse or abuse.

### 8.2 Software Warranties

Software is provided "AS IS". F&S makes no warranties, either express or implied, with regard to the software object code or software source code either or with respect to any third party materials or intellectual property obtained from third parties. F&S makes no warranty that the software is useable or fit for any particular purpose. This warranty replaces all other warranties written or unwritten. F&S expressly disclaims any such warranties. In no case shall F&S be liable for any consequential damages.

### 8.3 Disclaimer of Warranty

THIS WARRANTY IS MADE IN PLACE OF ANY OTHER WARRANTY, WHETHER EXPRESSED, OR IMPLIED, OF MERCHANTABILITY, FITNESS FOR A SPECIFIC PURPOSE, NON-INFRINGEMENT OR THEIR EQUIVALENTS UNDER THE LAWS OF ANY JURISDICTION, EXCEPT THE WARRANTY EXPRESSLY STATED HEREIN. THE REMEDIES SET FORTH HEREIN SHALL BE THE SOLE AND EXCLUSIVE REMEDIES OF ANY PURCHASER WITH RESPECT TO ANY DEFECTIVE PRODUCT.

### 8.4 Limitation on Liability

UNDER NO CIRCUMSTANCES SHALL F&S BE LIABLE FOR ANY LOSS, DAMAGE OR EXPENSE SUFFERED OR INCURRED WITH RESPECT TO ANY DEFECTIVE PRODUCT. IN NO EVENT SHALL F&S BE LIABLE FOR ANY INCIDENTAL OR CONSEQUENTIAL DAMAGES THAT YOU MAY SUFFER DIRECTLY OR INDIRECTLY FROM USE OF ANY PRODUCT. BY ORDERING THE PRODUCT, THE CUSTOMER APPROVES THAT THE F&S PRODUCT, HARDWARE AND SOFTWARE, WAS THOROUGHLY TESTED AND HAS MET THE CUSTOMER'S REQUIREMENTS AND SPECIFICATIONS



## Tables

Table 1: Heatsink technical specifications .....	4
Table 2: TIM technical specifications.....	4
Table 3: Scope of delivery MHS.AS8MP.3 .....	6

## Figures

Figure 1: Mechanical Dimensions Heatsink.....	5
Figure 2: Mechanical Dimensions TIM .....	5
Figure 3: Cooling Solution Assembly .....	6